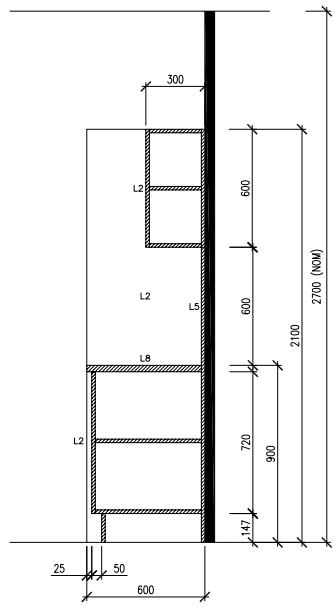
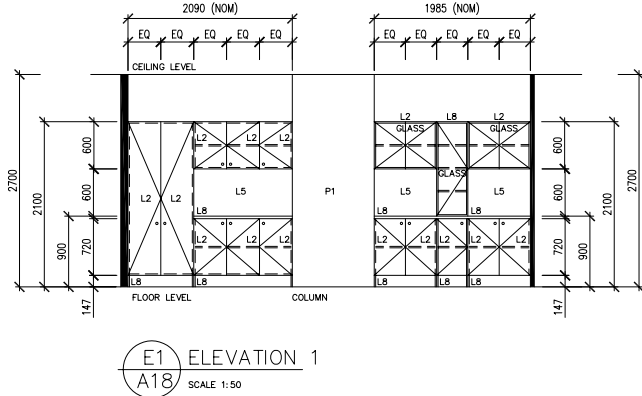
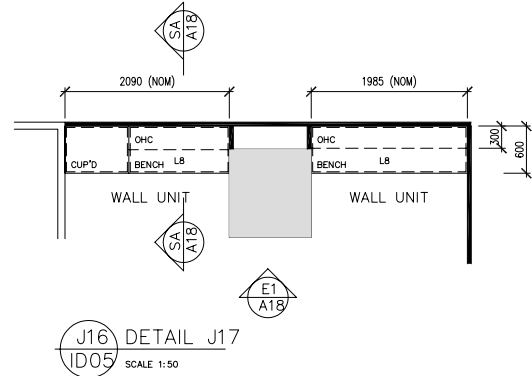


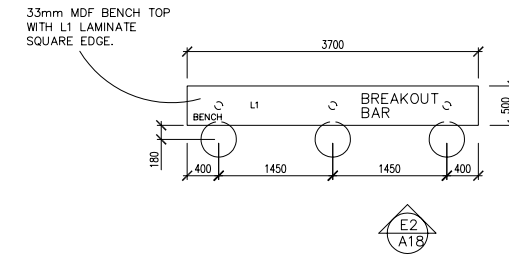
LEGEND

- V1 FIGURED ANEGRE VENEER
- L1 LAMINEX "SILVER ASH NATURAL" #589
- L2 LAMINEX "WAXED OAK NATURAL" #587
- L3 LAMINEX "SILICA ALCHEMY" #788
- L4 LAMINEX "RUBY MING" #712
- L5 LAMINEX "RAGGED COPPER" #952
- L6 LAMINEX "SUNLIGHT SHIMMER" #859
- L7 LAMINEX "CASTLEMAIN SLATE" #729
- L8 LAMINEX "STIPPLE HEMP" FLINT #861
- L9 LAMINEX "SUMATRA STIPPLE" FLINT #862
- L10 LAMINEX "XENON ALCHEMY" NATURAL #792
- L11 LAMINEX "SMOKE GRANITE" #763
- L12 LAMINEX "OATMEAL" FLINT #355
- L13 LAMINEX "YOUNG BEECH" #630
- L14 LAMINEX "TUSCAN PEAR" #638
- L15 LAMINEX "OLIVE" NATURAL #406
- L16 LAMINEX "SUNLIGHT SHIMMER" #859
- L17 LAMINEX "COPPER LUSTRE" NATURAL #540
- L18 LAMINEX "STIPPLE RUST" FLINT #894

- P9 DULUX HAMMERTONE 50% BRASS / 50% BURGUNDY
- P10 DULUX WOOD LILY 40YY 83/129
- P11 DULUX TANTALIZING TAN 00YY 55/180
- P12 DULUX LICHEN GREEN 70YY 55/299
- P13 DULUX PALE ORANGE 17YY 65/420
- P14 DULUX MOORISH GREEN 50GG 21/183
- B1 DULUX FORBO BULLETIN 2201
- B2 DULUX FORBO BULLETIN 2067
- S1 STONE - QUARELLA COMPOSITE MARBLE "RASOTICA" 12mm THICK TILE.

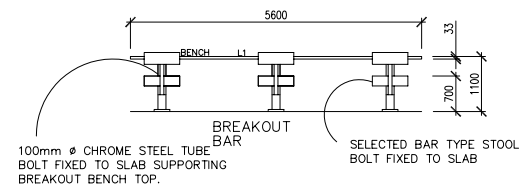


SA SECTION A
SCALE 1:20

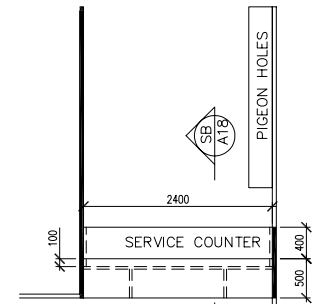


B4 DETAIL B4
SCALE 1:50

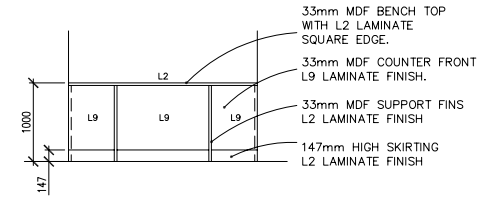
B4 DETAIL B4
SCALE 1:50



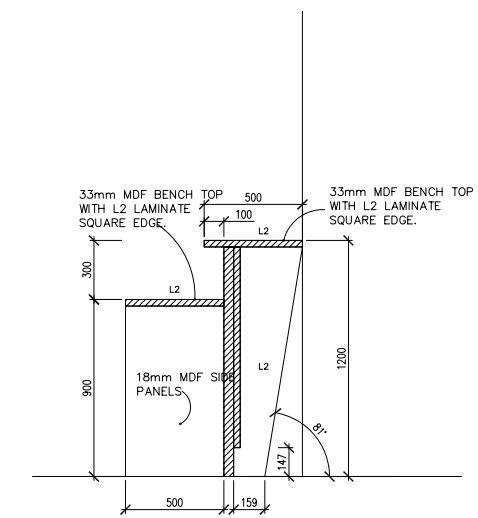
E2 ELEVATION 2
SCALE 1:50



J17 DETAIL J16
SCALE 1:50



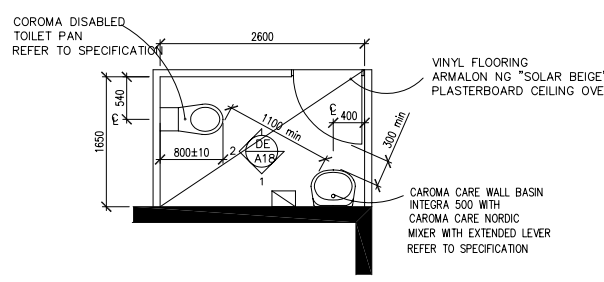
E3 ELEVATION 3
SCALE 1:50



SB SECTION B
SCALE 1:20

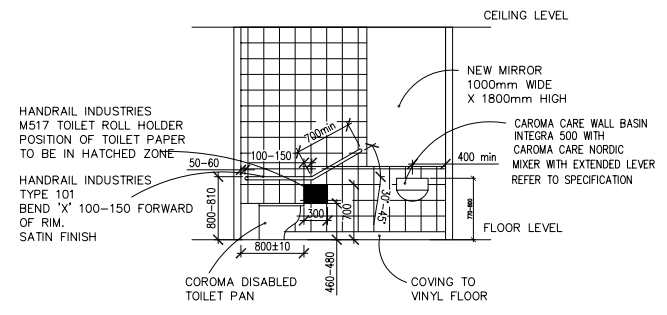
GENERAL NOTES

- ALL JOINERY CARCASSES CONSTRUCTED FROM 18mm MDF
- ALL BENCH TOPS CONSTRUCTED FROM 33mm MDF
- ALL DOORS CONSTRUCTED FROM 18mm MDF
- ALL JOINERY UNITS TO BE SCREW FIXED TO WALLS FOR STABILITY
- ALL FIXINGS TO BE CONCEALED
- ALL VENEER GRAINS TO RUN VERTICALLY

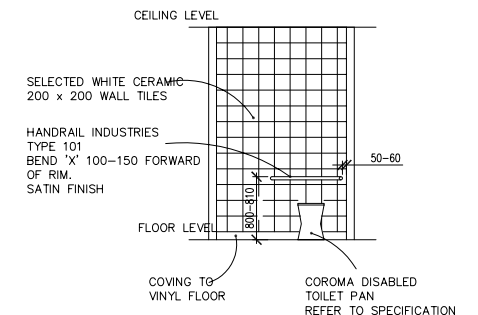


DT1 ACCESS TOILET
SCALE 1:50

DT1 ACCESS TOILET
SCALE 1:50



DE1 DISABLED ELEVATION 1
SCALE 1:50



DE2 DISABLED ELEVATION 2
SCALE 1:50